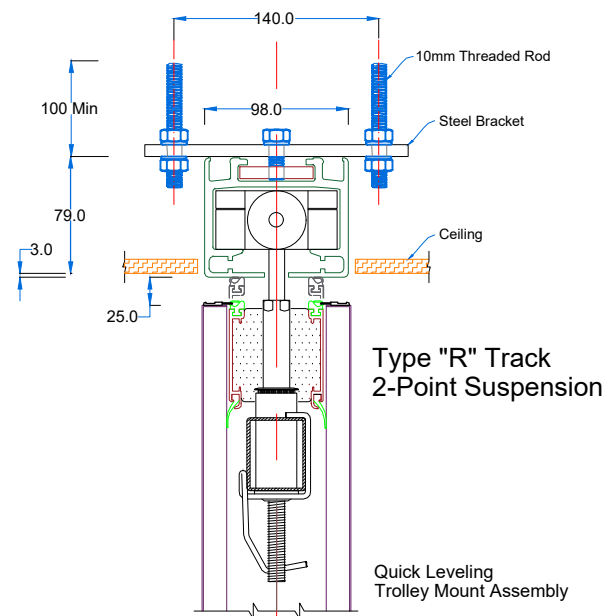
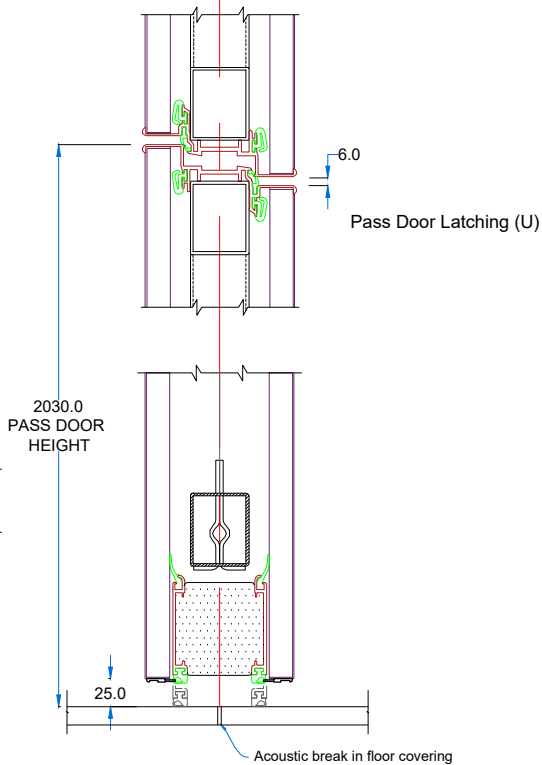


Panel construction

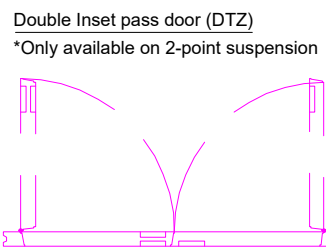


Type "R" Track
2-Point Suspension

Quick Leveling
Trolley Mount Assembly



Pass Door Latching (U)



Double Inset pass door (DTZ)
*Only available on 2-point suspension

HUEPPE VARIFLEX
Type: SOLID 100U, Rw=52dB**
Weight per sqm 58kgs. Total weight of operable wall must be considered and checked in static calculation under unfavourable load conditions. All flanking building elements must achieve a minimum, sound insulating value of Rw=52dB** Attention : It is not allowed to fix or connect other building parts to our tracks. The track has to remain removable for fixing the elements. After installation of tracks a 10mm deflection of the building structure has been considered.

* ALL FINAL DIMENSIONS TO BE VERIFY ON SITE PRIOR COMMENCEMENT OF ACTUAL WORKS ON SITE

** THE SOUND INSULATION VALUES STATED ARE LABORATORY VALUES DETERMINED IN ACCORDANCE WITH DIN EN 20140-3. BECAUSE OF EQUIPMENT VARIANTS, THAT DIFFER FROM THE LABORATORY SETUP, CHANGES OF THE SOUND INSULATION PROPERTIES ARE POSSIBLE. WE CANNOT OFFER ANY GUARANTEE FOR THE SOUND INSULATION VALUES ACHIEVED IN THE AS-INSTALLED CONDITION AS WE HAVE NO INFLUENCE OVER THE ADJACENT COMPONENTS (VENTILATION DUCTS, CABLE SHAFTS, FLOATING SCREED FLOORING, ETC.).

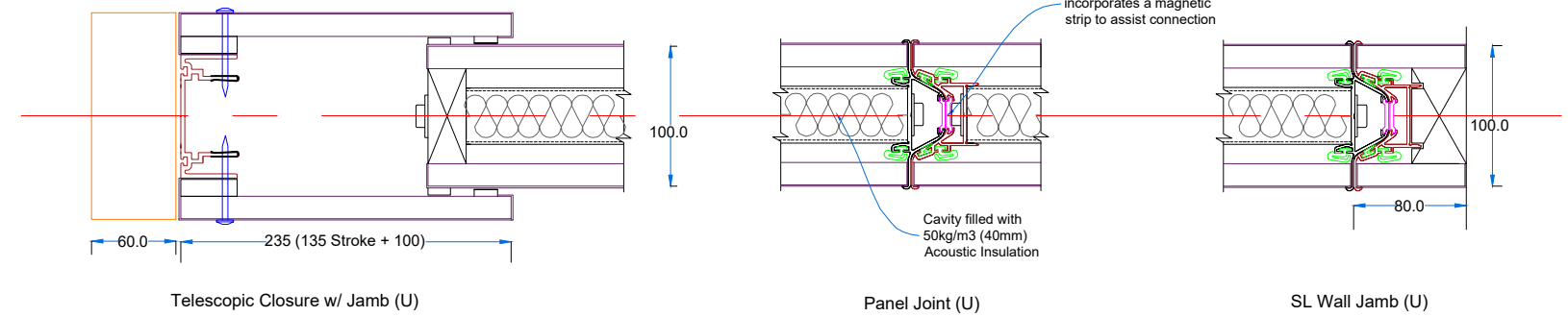
Please Note:-
1. Track Support beam must be level and straight
2. All openings must be Plumb.
3. Floor must be made level to the best achievable standard
All this allows for maximum acoustic effect and operability. If any problem occurs in any of these areas, the operation of the door will be compromised

DRAWING APPROVAL
PLEASE CHECK THE APPROPRIATE BOXES SIGN AND PRINT NAME

FINISHES	
CRITICAL DIMENSIONS (Red)	
HEIGHT	
WIDTH	
SIGNED BY	
PRINT NAME	
DATE	

FOR REFERENCE ONLY

Typical Wall with Telescopic Closure (TE)

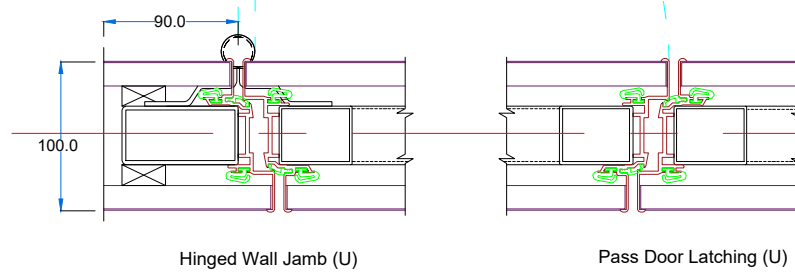


Telescopic Closure w/ Jamb (U)

Panel Joint (U)

SL Wall Jamb (U)

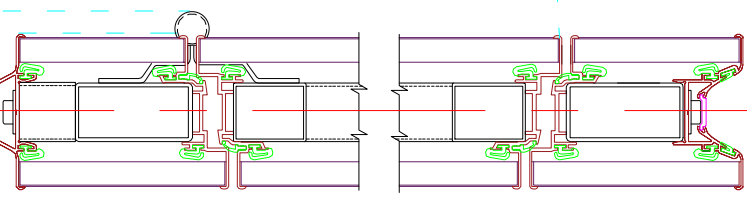
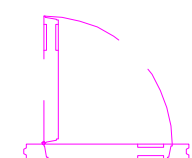
Typical Wall with Pass Door Closure (FT)



Hinged Wall Jamb (U)

Pass Door Latching (U)

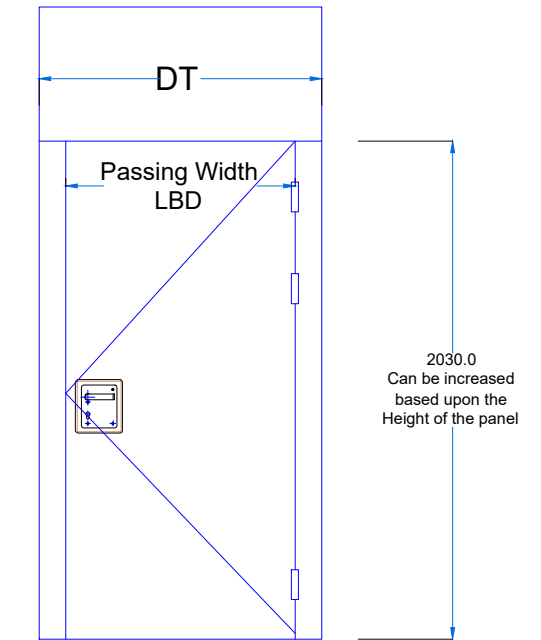
Single Inlet pass door (DT)



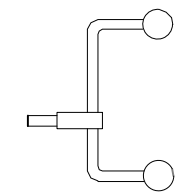
Single Pass Door (U)

Inset pass through doors (Door within a panel)

DT	LBD
1110.0 mm	820.0 mm
1210.0 mm	920.0 mm

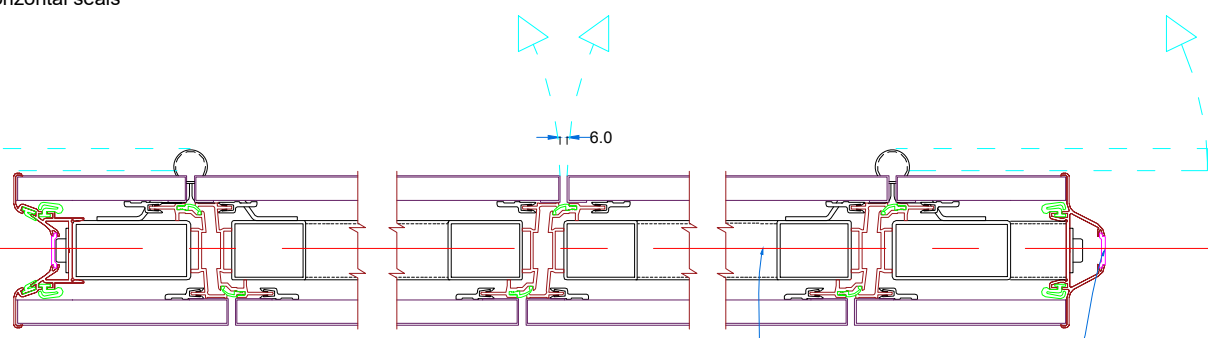


Double inlet pass through doors

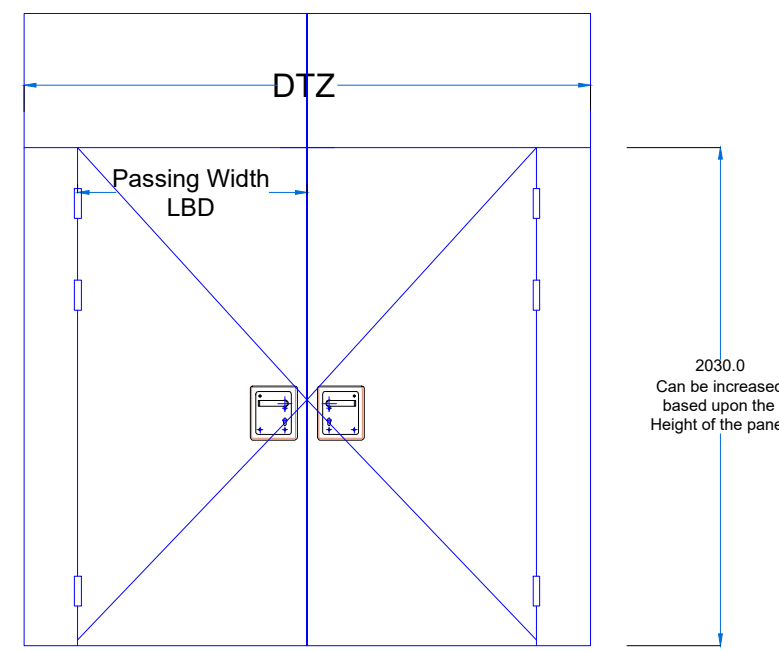


Operating Handle to release and secure horizontal seals

DTZ	LBD
Door Height	Door Width
1952.0 mm	820.0 mm
2152.0 mm	920.0 mm



Double Pass Door (U)



Rev	Date	Change	Name

MATERIAL	Generic	FINISH	Default
GENERAL TOLERANCES UNLESS OTHERWISE SPECIFIED	±0.5 ±0.2 ±0.1	THIRD ANGLE PROJECTION	DESIGNER: Gary DRAWN: WP CHECKED: WP DATE:
UNLESS OTHERWISE SPECIFIED	1/6	CONTRACTOR	Trans-Space Standard Drawings
PROJECT DESCRIPTION DT-DTZ Panels With Pass Doors Sections		CONFIGURATION HUEPPE VARIFLEX Type: SOLID 100U, Rw=50dB**	
MANAGING SPACE WITH OPERABLE WALLS AND DOORS		SHEET 1 OF 1 SCALE NTS JOB NUMBER	