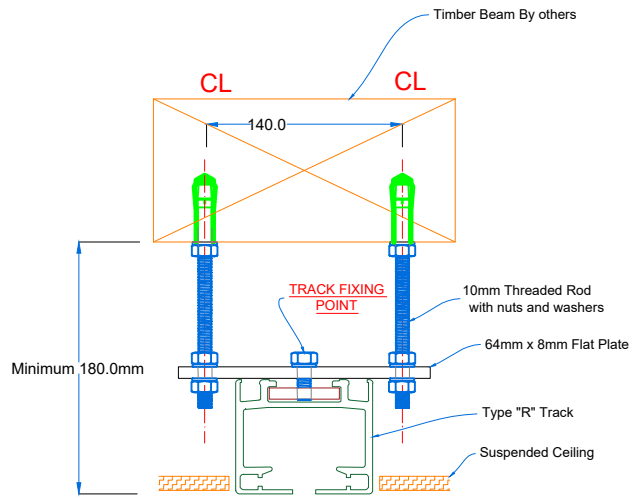
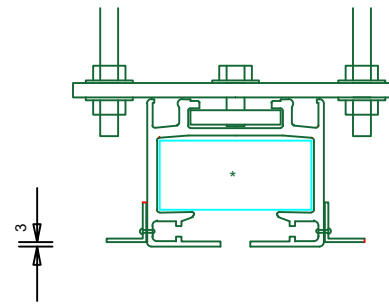


HEAD TRACK TYPE 1



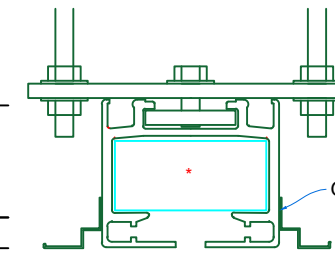
HEAD TRACK TYPE 2

OPTION "A"

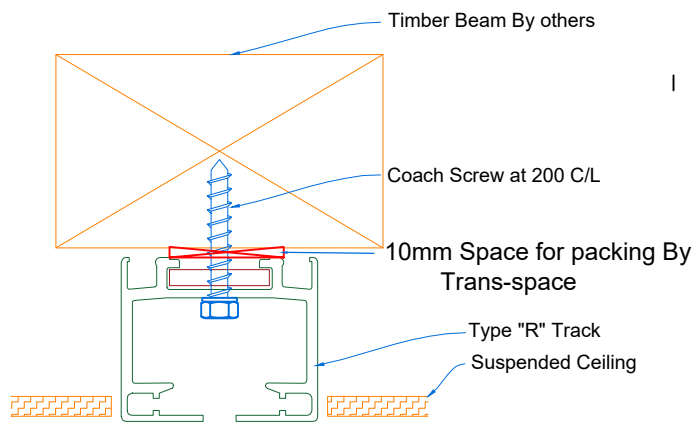


CEILING TILE

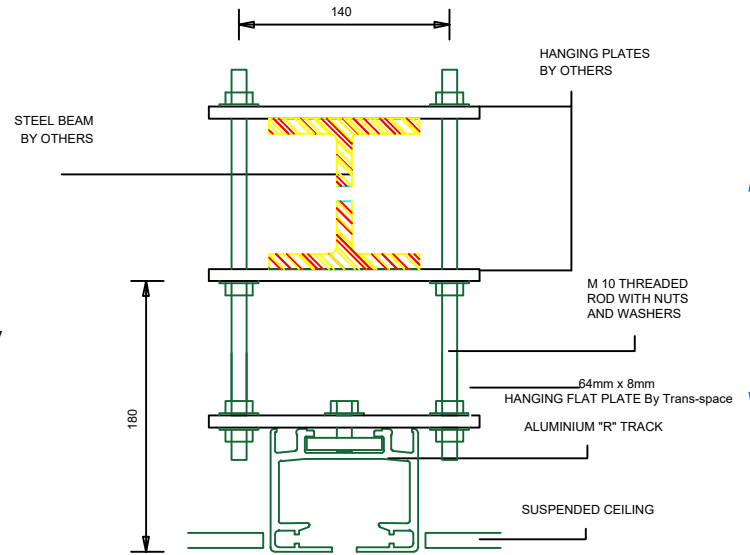
OPTION "B"



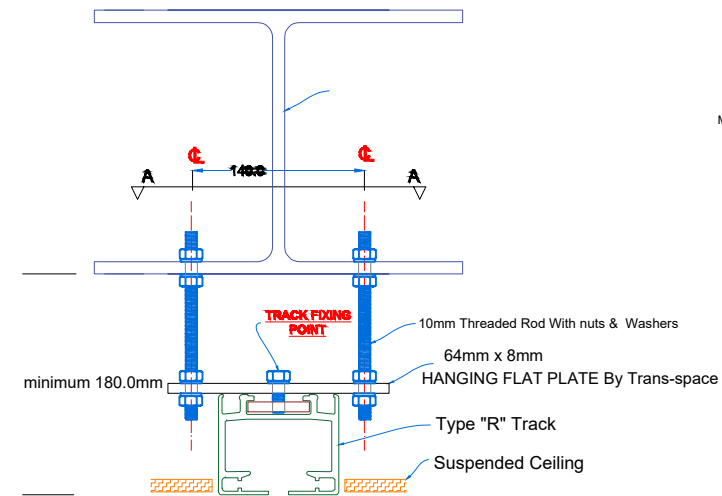
NEGATIVE DETAIL



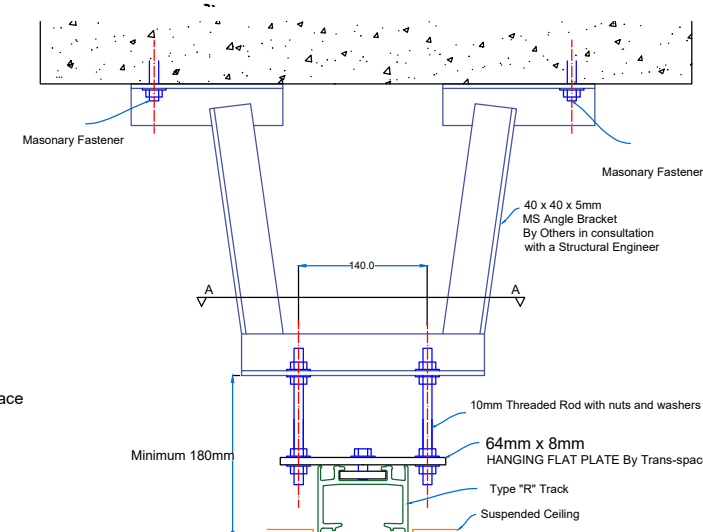
HEAD TRACK TYPE 3



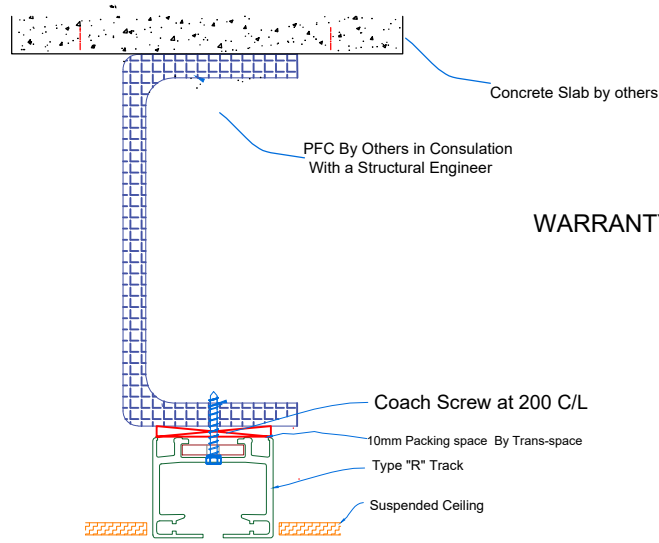
HEAD TRACK TYPE 4



HEAD TRACK TYPE 5

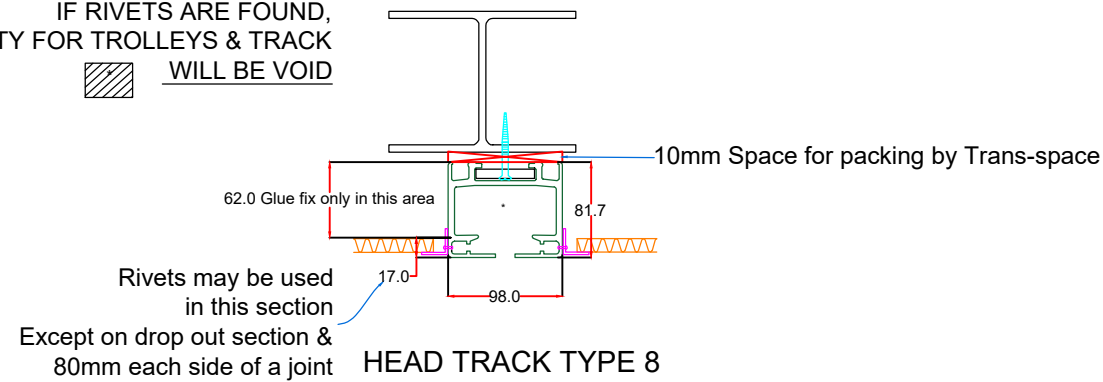


HEAD TRACK TYPE 6

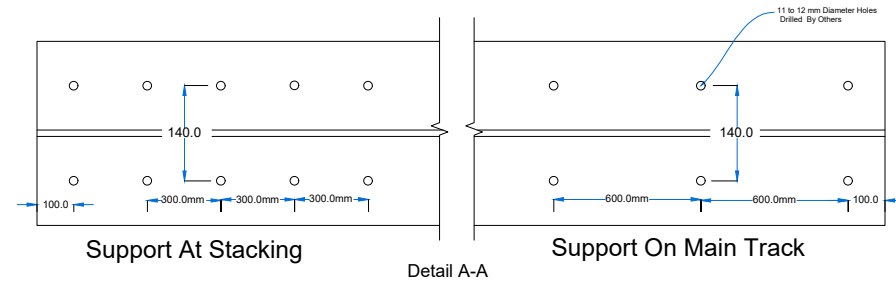


HEAD TRACK TYPE 7

NO RIVETS IN THIS AREA IF RIVETS ARE FOUND, WARRANTY FOR TROLLEYS & TRACK WILL BE VOID



HEAD TRACK TYPE 8



R- Track & Support Beam HOLE DRILLING POSITIONS

GENERAL TOLERANCES UNLESS OTHERWISE SPECIFIED 0 = +/- 0.5 0.0 = +/- 0.1 0.00 = +/- 0.05	DESIGNER	REV	TRANS-SPACE MANAGING SPACE WITH OPERABLE WALLS AND DOORS
	GARY	7	
MACHINED SURFACE FINISH UNLESS OTHERWISE SPECIFIED	CHECKED	SHEET	JOB NAME Track install Details DORMA R-TRACK
	DATE	1	
DESCRIPTION	22/08/2023	SCALE	CONFIGURATION
Vertical Cross Section		AS SHOWN	PART NUMBER