

TRANS-SPACE

MANAGING SPACE WITH OPERABLE WALLS AND DOORS



SPACEFORMER 200 SERIES
OPERABLE WALLS

Proudly New Zealand owned, managed and made!



TRANS-SPACE

MANAGING SPACE WITH OPERABLE WALLS AND DOORS

If you're looking for the best in moveable wall solutions, you've come to the right place. Offering a record of more than 60 years' performance in New Zealand, the Trans-Space team has the knowledge, the experience and the expertise to match your requirements to the finest detail.

Tailored products...

Proudly Kiwi owned and operated, Trans Space designs, builds and installs moveable walls and folding doors for every purpose – for businesses, homes, retail stores, schools, hotels, leisure facilities, conference venues, hospitals, rest homes... you name it, we've probably done it.

Every operable wall is tailor-made for its location, its purpose and its users – and it's designed to last, with top-quality fittings, finishes and other raw materials sourced right here in New Zealand.

World-class standards...

You can rely on Trans-Space for quality. Accredited to ISO 9001:2000, we operate stringent quality control systems to ensure world-class products at competitive prices. Every wall and door we produce has a 12-month warranty.

We're also committed to innovation, with a product development programme focused on exploring new ideas, creating new solutions and delivering better performance in every product we make.

Service excellence...

Trans-Space has a reputation for service excellence. We'll work the way you want to work – with personal visits, in-depth product knowledge and on-site technical expertise and advice. Wherever your project and whatever your specifications, we'll be delighted to help.

Just talk to us

For more information on Trans-Space and our products:

- click on www.trans-space.co.nz
- phone us on 09 274 4089
- send an email to info@trans-space.co.nz
- fax us on 09 274 7058
- visit us at 12 Lovegrove Crescent, Otara, Auckland
- write to us at PO Box 58070, Greenmount, Manukau 2141.

We look forward to hearing from you!

walls
that **Work**

Proudly New Zealand owned, managed and made!

SPACEFORMER²⁰⁰ SERIES

OPERABLE WALLS



Our Spaceformer 200 series is a versatile, affordable choice in moveable walls – and a great solution for schools, hotels, churches, conference areas and offices where two or more meetings often take place simultaneously. Similar in many ways to our Spaceseal 500 series, it's ideal if the conditions in which you'd like to use it suit a lighter-weight wall with a moderate acoustic rating.

The series has three models. Each one:

- is top hung, which means no unsightly floor tracks
- features top and bottom multi fingered vinyl rubber extrusions
- can have pass doors and a stacking pocket
- includes an aluminium trim that can be anodised or powder-coated with any standard available colour
- can be finished in your choice of fabric, vinyls, laminates, paints, whiteboards... the list goes on. Just talk to us about the finish you're looking for.



The 201 series

The best thing about the Spaceformer 201 is its flexibility. Made up of individual panels that fit neatly together for use, our specially designed tracking system means it can be separated, stacked and stored at a separate location – leaving a clean, uncluttered opening.

Each panel has the unique ability to turn at 90 degrees to the centre line of the track. Suitable for all widths and heights up to 3.6 metres, this wall is an excellent combination of strong performance and easy, convenient handling.

The 202 series

If you want to be able to create two rooms out of one large area (with an opening of seven metres or more), the Spaceformer 202 is for you.

The wall panels pivot at the centre and are hinged together in pairs, making for a fast set-up and easy opening and closing. And when you no longer need it, the wall slides smoothly to one side, or to both sides of the opening if you prefer.

The 203 series

The Spaceformer 203 is the choice for openings less than eight metres wide.

Centre pivoted and continuously hinged, the panels combine to create a strong, stable and almost seamless wall. The 203 has all the advantages of a lead panel pass door for easy opening, and snap closing for effortless storage (the wall can either concertina to one side or be a paired centre opening).

Need help choosing?

For help with choosing the right wall for your project, just contact us – our technical team will be happy to recommend a model to suit.



Spaceformer 200 series specifications

Panels

- Appearance similar to a permanent wall.
- Aluminium framing.
- MDF skins insulated with fibreglass.
- Finish as specified (see below).
- Intermediate panels – width 1200mm max, 600mm min.
- 10mm aluminium protective strip around each edge.
- 75mm panel width.

Seals

- Vertical seals to each jamb are astragal extrusions.
- Top and bottom seals are two sets of twin finger seals.

Arrangement

- 201 – offset or remote stacking available. Can be remote stacked anywhere where access track and grid can be located.
- 202 and 203 – can be stacked at either end of the opening on the track's centre line.

Access

- 201 and 202 – by jamb-hinged pass door.
- 203 – by lead panel pass door.

Closure

- 201 and 202 – by jamb-hinged pass door (JHPD) or flap.
- 203 – by lead panel pass door 850mm to 910mm wide.

Track

- 96 x 42 Space System II track.
- Flanged to accept ceiling tiles and installed 15mm proud of ceiling line to prevent panel seals interfering with ceiling during operation.
- 201 – all track intersections welded.
- Powder-coated Arctic White.
- Other colours available at an additional cost.

Suspension

- 201 – two steel-reinforced nylon disc pucks per panel.
- 202 and 203 – four ball bearing wheel sledge trolleys.
- 202 – one trolley on each panel.
- 203 – one trolley on alternate panels.

Stack space

- 80mm per panel + 50mm.

Pocket size

- 201 – if pocket required, use panel width plus 200mm as minimum, or use 'angle parking' (see illustration).
- 202 – if pocket required, use panel width plus 200mm as minimum.
- 203 – if pocket required, use panel width plus 250mm as minimum.

Hanging weight

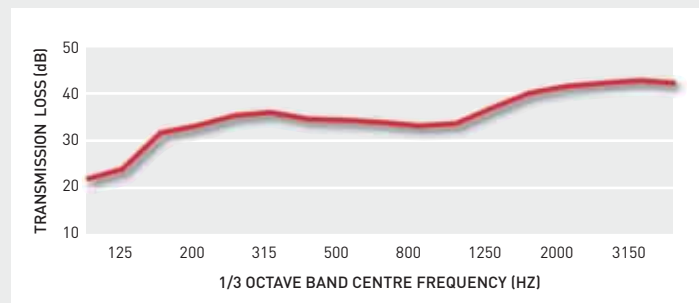
- 17kg/m².

Acoustic performance

- Acoustic rating of 35 STC.

STC- 35

- Transmission loss tested by Uniservices Auckland to ISO 140 parts 1, 2 & 3, ISO 717 part 1, ISO 354, AS 1191-1985, NATA Accredited. Full report available on request.



Operation

- 201 – top-supported, double-hung, independent panels, manually operated.
- 202 and 203 – top-supported, centre-hung, hinged-operable wall, manually operated.
- 202 – hinged as pairs.
- 203 – continuously hinged.

Finishes (as specified)

- Finishes available – fabric or roll-up material to 1mm thick, limited only by practicality.
- Veneers, vinyls, laminates, paints, chalkboards, projection screens and any cabinete finishes in timber veneer up to 9mm.
- Aluminium trim powder-coated to any standard available colour.
- Anodised trim available.

Required measurements

- Fully detailed measure of opening required on a Trans-Space measure sheet before manufacturing begins. (Trans-Space will complete a site measure.)
- Typical opening measurements required:
 - Width at top and bottom
 - Height at 1m intervals across opening
 - Head detail
 - Floor covering detail
 - Closure detail, including door swing direction
 - Stack end operator key side.
- If stacking in a pocket, ask Trans-Space for dimension requirements.

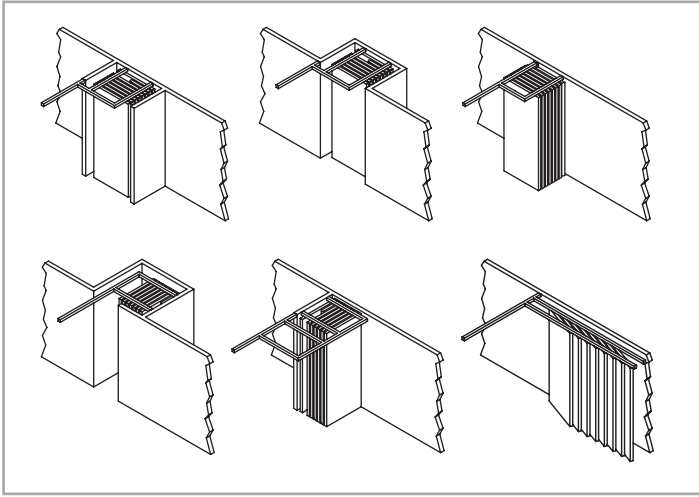
Installation

- By manufacturer's approved installers only.

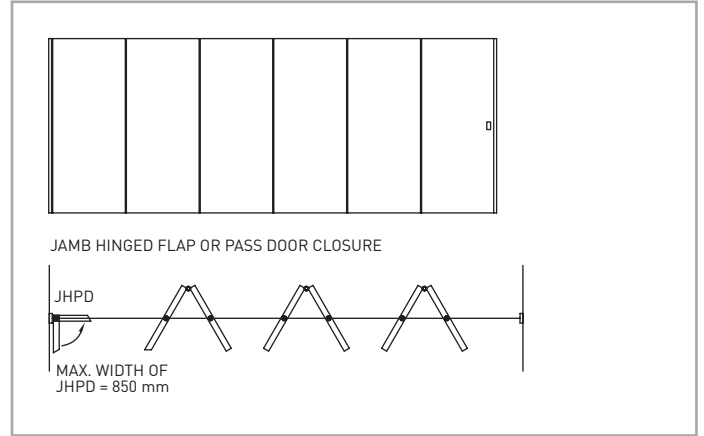
Work by others

- All headworks required to support track. Deflection of head under load to be less than 5mm.
- Jamb to be installed straight and plumb. Tolerance 5mm from plumb.
- Baffle over opening to ensure no flanking paths for sound transmission.
- Smooth, straight, level floor.

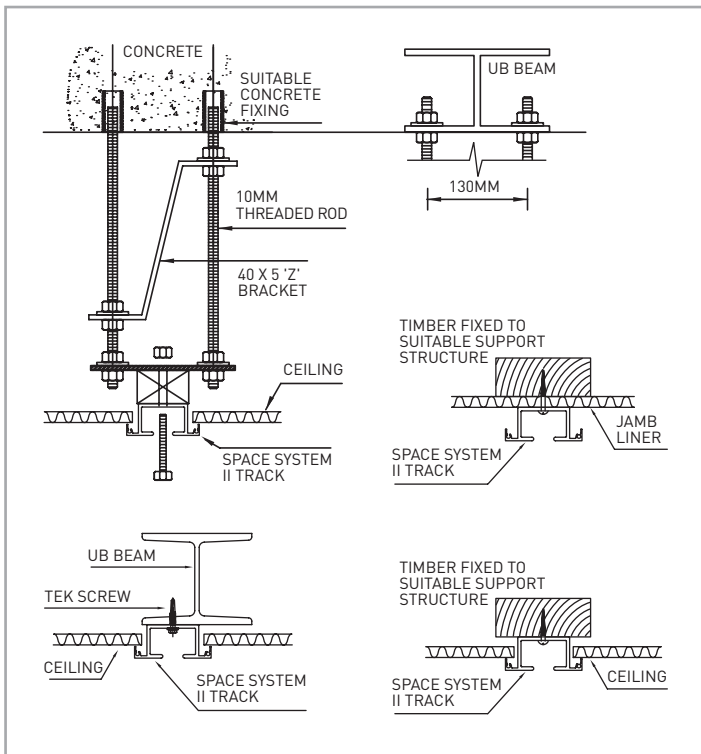
Typical 201 stacking options



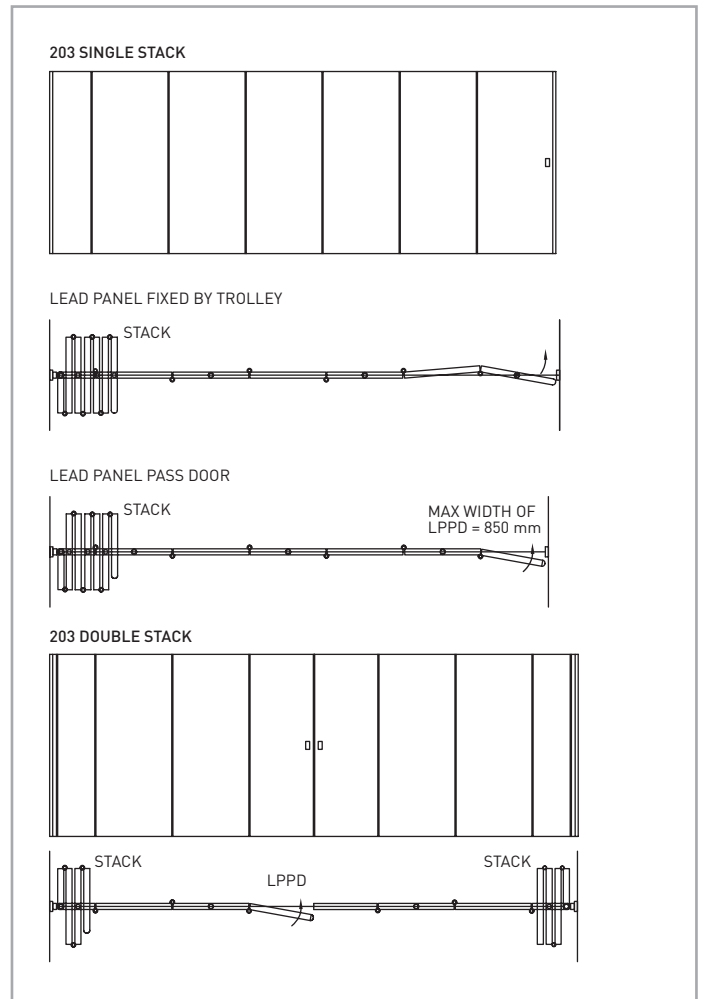
Typical 202 layout options



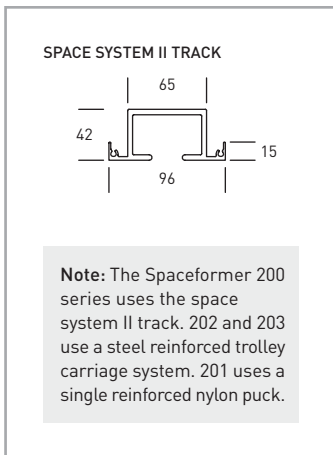
Typical head fixing options



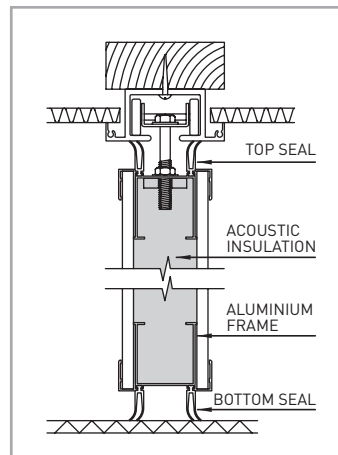
Typical 203 layout options



Track dimensions



Door section



Note

These and other detailed drawings are available as .dwg files and can be downloaded from www.trans-space.co.nz. If your requirements are not represented by any of the drawings here, please contact one of our technical experts on 09 274 4089.



TRANS-SPACE

MANAGING SPACE WITH OPERABLE WALLS AND DOORS

T: +64 9 274 4089
F: +64 9 274 7058
E: info@trans-space.co.nz
W: www.trans-space.co.nz

12 Lovegrove Crescent, Otara
PO Box 58-070, Greenmount
Manukau 2141, Auckland
New Zealand

Proudly New Zealand owned, managed and made!
ISO 9001: 2000 CERTIFIED