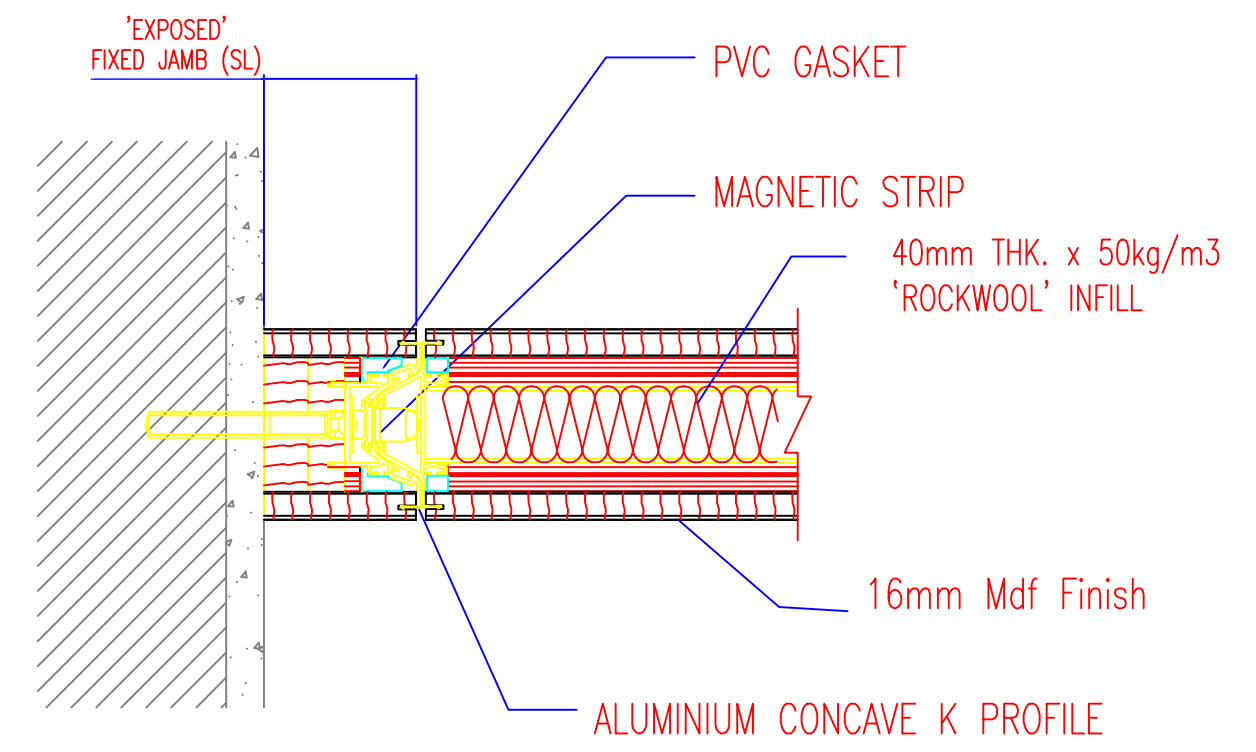
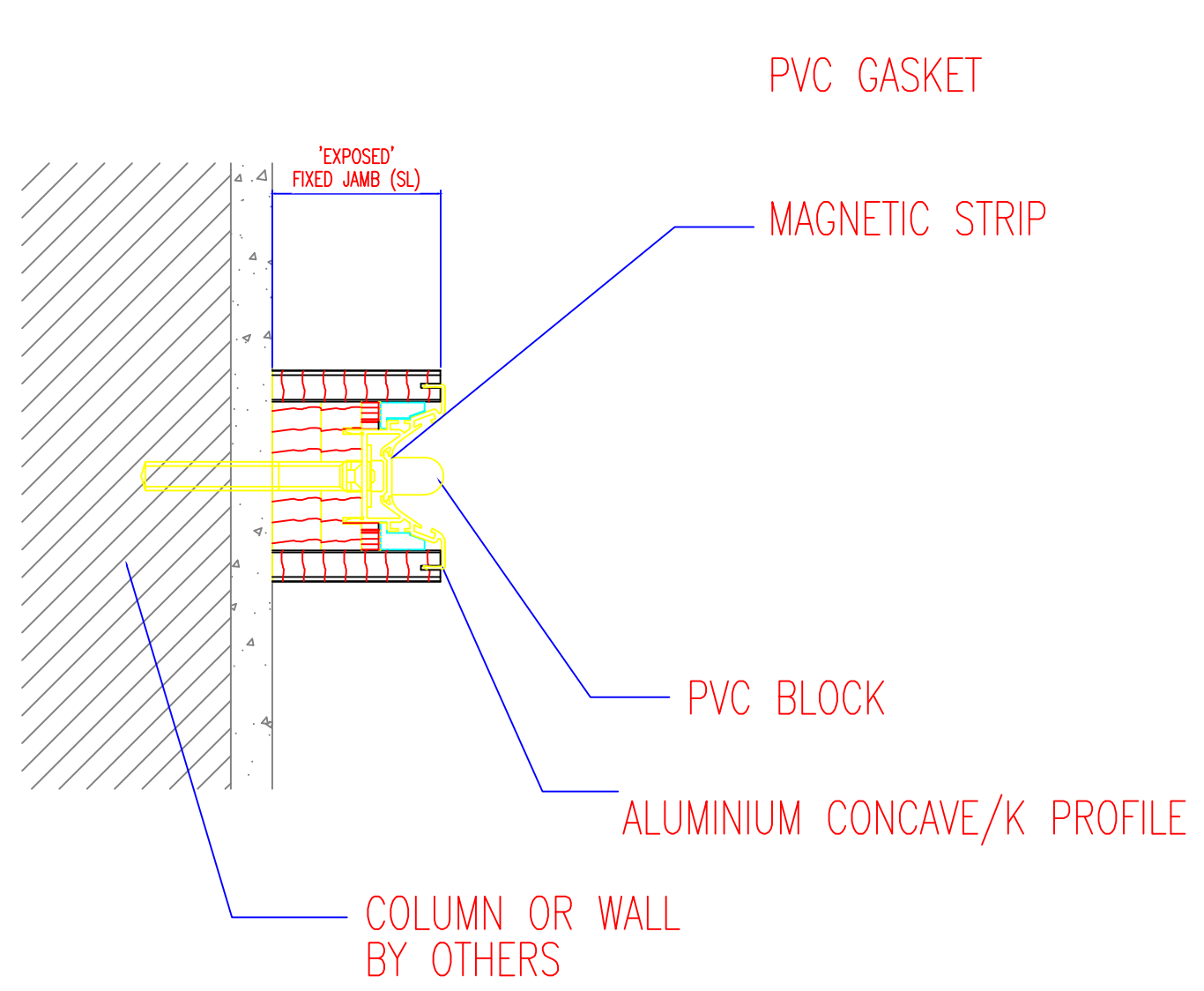


DRAWING APPROVAL

PLEASE CHECK THE APPROPRIATE BOXES
SIGN AND PRINT NAME

FINISHES	
CRITICAL DIMENSIONS (Red)	
HEIGHT	
WIDTH	
SIGNED BY	
PRINT NAME	
DATE	

Please Note:-
 1. Track Support beam must be level and straight
 2. All openings must be Plumb.
 3. Floor must be within +/- 2mm.
 All this allows for maximum acoustic effect and operability.
 If any problem occurs in any of these areas, the operation of the door will be compromised



FOR REFERENCE ONLY

Section B-B

TRANS-SPACE Ltd. THESE DRAWINGS AND PRODUCTS MADE THEREFROM ARE SUBJECT TO COPYRIGHT UNDER THE NEW ZEALAND COPYRIGHT ACT 1994 AND NEITHER THE DRAWINGS OR PRODUCTS MADE THEREFROM MAY BE REPRODUCED IN ANY MATERIAL FORM OR MODIFIED IN ANYWAY WITHOUT THE WRITTEN APPROVAL OF TRANS-SPACE Ltd.

Rev	Date	Change	Name

TRACK TYPE	Generic	FINISH	Default
GENERAL TOLERANCES UNLESS OTHERWISE SPECIFIED	0 = +/- 0.5 0.0 = +/- 0.1 0.00 = +/- 0.05	THIRD ANGLE PROJECTION	DESIGNER TONY W
UNLESS OTHERWISE SPECIFIED	0.1	DIMENSIONS IN MILLIMETRES	CHECKED TG/WP
MACHINED SURFACE FINISH UNLESS OTHERWISE SPECIFIED	1.6	CONTRACTOR	DATE 22-Aug-23
			REV 2
			A3
			SHEET 1
			SCALE NTS
			PROJECT DESCRIPTION
			CONFIGURATION 100 K SL Detail
			JOB NUMBER

