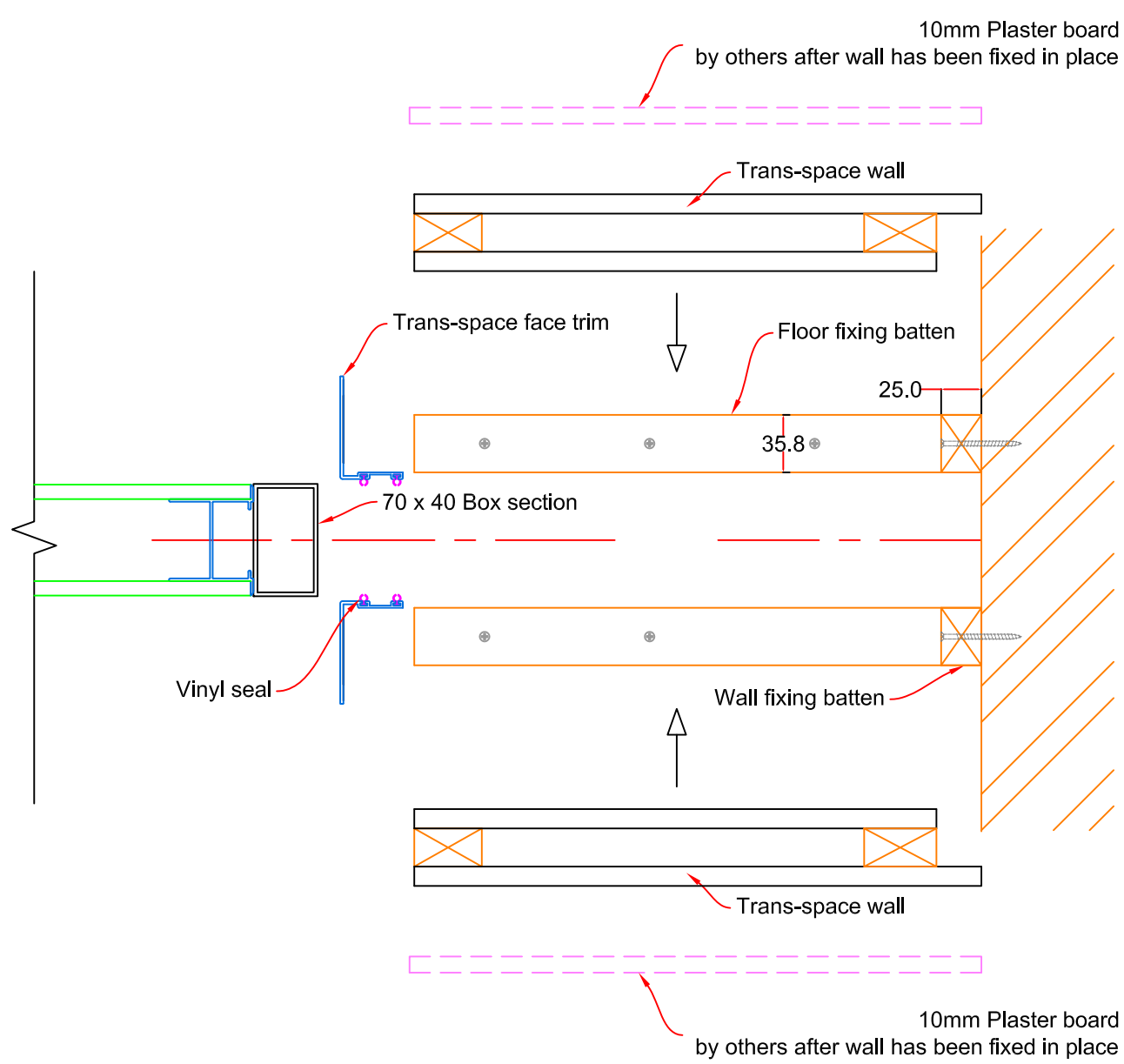


Section C-C



GENERAL TOLERANCES UNLESS OTHERWISE SPECIFIED 0 = +/- 0.5 0.0 = +/- 0.1 0.00 = +/- 0.05		DESIGNER	REV 1	TRANS-SPACE MANAGING SPACE WITH OPERABLE WALLS AND DOORS
		DRAWN Tony W	A3	
0.1 UNLESS OTHERWISE SPECIFIED	1.6 UNLESS OTHERWISE SPECIFIED	CHECKED	SHEET 2	400 Slider detail
		DATE 11-11-2014	SCALE AS SHOWN	CONFIGURATION
MACHINED SURFACE FINISH UNLESS OTHERWISE SPECIFIED		DESCRIPTION Details		